

# Aqua Wafer Style Butterfly Valve Type 563



## General

- **Size:** 2"–12"
- **Outer Body:** Glass-filled PP
- **Material:** PVC
- **Seals:** EPDM
- **Shaft:** 304 stainless steel
- **Hardware:** 304 stainless steel
- **Operation:** Lever, gear
- **Connection:** Both ANSI 150 and DIN
- **Standard Pack Quantity:** 1 valve

## Key Certifications

- **NSF 61:** PVC
- **FDA CFR 21 177.2600:** EPDM

## Material Specification

PVC valves shall meet ASTM D1784 cell classification 12454 standards. Valves of all materials shall be RoHS compliant.

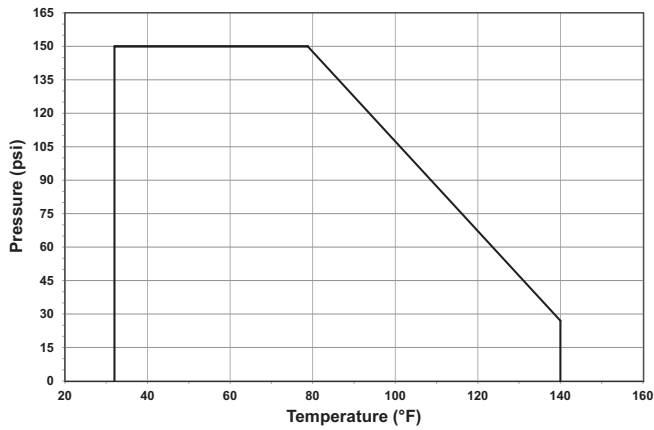
## Sample Specification

The Type 563 Butterfly Valve shall be wafer style compatible with both ANSI B16.5 150 lb and DIN 2501 flange patterns. The disk operation shall utilize double eccentric design principles. The shaft shall be non-wetted by a bushing assembly with double O-ring seals and fixed at both ends. The face seal shall be a Q-ring compatible with flat and serrated flange adapters. The face, disk and shaft seals shall operate independently. The wetted body and disk shall be of like materials. Valves shall be rated for bidirectional use. The handle shall be lockable with standard adjustment increments of 5 degrees. The operator mounting flange shall be comply with ISO standards. All valves shall be tested in accordance to ISO9393 and designed to ISO16136 standards. All valves shall be manufactured under ISO9001 for Quality and ISO14001 for Environmental Management. Following assembly, every valve shall be tested and certified bubble tight exceeding Class VI standards.

# Technical Data

The following graphs are based on a lifetime of 25 years of water or similar media applications

**Pressure-Temperature Curve**

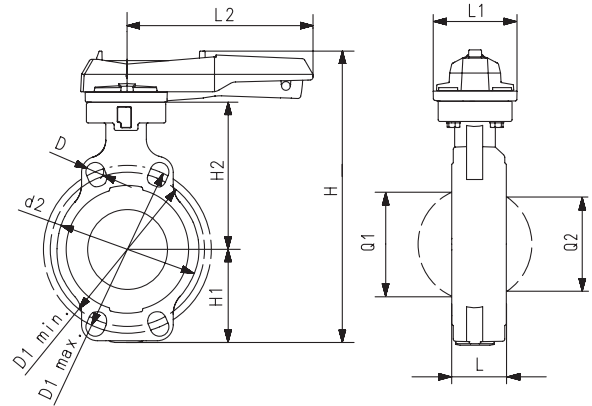


**Cv values**

Size (inch)	d (mm)	Cv (gal/min)
2	63	103
2½	75	154
3	90	210
4	110	455
5	140	805
6	160	1162
8	225	2772
10	280	3570
12	315	5110

## Dimensions

The following tables are shown in millimeters unless otherwise specified



**Lever**

Size (inch)	d (mm)	d2	D	D1 min	D1 max	D2	H	H1	H2	L	L1	L2	Q1	Q2
2	63	104	19	120	125	104	264	77	134	45	106	205	40	-
2½	75	115	19	140	145	115	277	83	140	46	106	205	54	35
3	90	131	19	150	160	131	289	89	146	49	106	205	67	50
4	110	161	19	175	191	161	325	104	167	56	106	255	88	74
5	140	187	23	210	216	187	352	117	181	64	106	255	113	97
6	160	215	24	241	241	215	373	130	189	72	106	255	139	123
8	225	267	23	290	295	267	435	158	210	73	140	408	178	169
10	280	329	25	353	362	329	554	205	264	113	149	408	210	207
12	315	379	25	400	432	379	598	228	285	113	149	408	256	253

**Gear**

Size (inch)	d (mm)	D3	H3	L1	L2	L3
2	63	160	62	78	112	179
2½	75	160	62	78	112	179
3	90	160	62	78	112	179
4	110	160	62	78	112	179
5	140	160	62	78	112	179
6	160	160	62	78	112	179
8	225	160	62	78	112	179
10	280	200	69	97	130	198
12	315	200	69	97	130	198

