

GA SERIES Pressure Gauge & Isolator

IDEAL FOR FILTER AND STRAINER CHANGE-OUT ALERT

KEY FEATURES & BENEFITS

- Industry's First All Thermoplastic Combo Gauge & Isolator
- One-piece Molded Design (No Assembly)
- Heavy Duty Design; Simple to Install
- Completely Corrosion Resistant
- Extra Large Colored Display
- High Accuracy
- Factory Pre-filled Glycerin / Vacuum Sealed
- No Filling Required
- Suitable for Corrosive Media + Slurries
- Simple Installation
- Calibration Certified

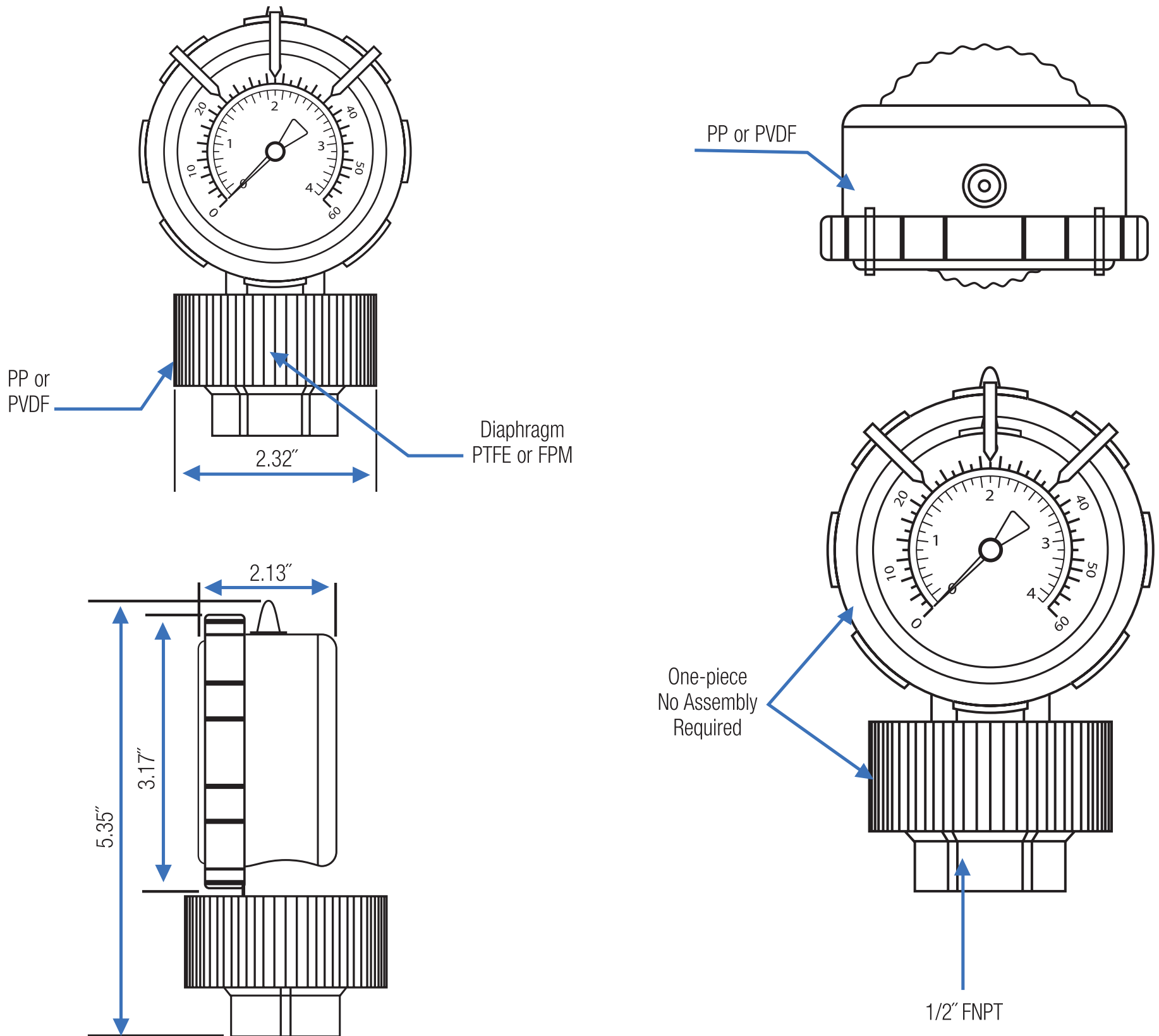
SPECIFICATIONS

Dial Diameter	Large 2-1/2" Face (Big Numbers-Clear Markers)
Mounting	Direct Mount, Bottom Connection FNPT 1/2"
Housing	PVDF or Polypropylene with FPM or PTFE Diaphragm
Lens	Safety Glass
Dial	Red & Black Scale White Background, Dial Arc 270°
Measuring Principle	Bourdon Tube-316 SS (Non Wetted) Diaphragm (Wetted Part) - FPM (Standard)
Movement	316 SS (Non Wetted)
Gauge	Red, Yellow, Green Moveable Plastic Markers- Pressure Range Pointers Fitted on the Bezel
Connection	1/2" FNPT
Filling	Options: Glycerin or Silicone Filled
Accuracy	±1.5% F.S.
Operating	Max. Working Temp. PVDF-195°F, PP-170°F Temperature
Pressure Range	Standard Range 0-60 / 0-100 / 0-160 psi (Second Scale: Bar) Other units available, e.g., bar, MPa, etc.

GA Series

PRESSURE GAUGE & ISOLATOR

DIMENSIONS AND MATERIALS



Hayward is a registered trademark of Hayward Industries, Inc. © 2015 Hayward Industries, Inc.

Contact Hayward Flow Control with questions:

USA: 1.888.429.4635 • Fax: 1.888.778.8410 • One Hayward Industrial Drive • Clemmons, NC 27012 • Email: hflow@haywardnet.com
Canada: 1.888.238.7665 • Fax: 1.905.829.3636 • 2880 Plymouth Drive • Oakville, ON L6H 5R4 • Email: hflowcanada@haywardnet.com
Visit us at: haywardflowcontrol.com