



A Met-Pro Mefiag Filtration Technologies Business



# MEFIAG's SETHCO® CPVC or KYNAR AMPHIB FILTER SYSTEMS

FOR CORROSIVE SOLUTIONS INCLUDING  
ELECTROLESS COPPER & NICKEL TO 200° F

**Features:**

- CPVC or Kynar Construction
- No Wearing Parts
- No Pump Seals  
(Can even run dry)
- No Pump Bearings
- High Volume Filtration
- Self Priming  
(Pump in-tank)
- Leakproof
- Fast and Easy Tube  
Changeover
- Acid and Alkaline  
Filtration to 200°F
- No Metal Contact
- TEFC Fume Protected  
Motors

**Recommended For:**

- Electroless Copper  
and Nickel
- Hexavalent and  
Trivalent Chrome
- Acid and Alkaline  
Solutions
- Precious Metal  
Solutions
- Fluoborate Solutions  
and all other Electroplating  
Solutions

**NEW KYNAR  
FILTER SYSTEMS**

**ZDX and ZKX  
Series**



# MEFIAG CORROSION RESISTANT CPVC AND KYNAR FILTER SYSTEMS

## FOR FILTERING PLATING AND CORROSIVE SOLUTIONS INCLUDING ELECTROLESS COPPER AND NICKEL TO 210°F (99°C)

### Unique Design Originated by Sethco

ZDX Series pumps have no seals, no bearings, no wearing parts. They can even run dry. The unusual opposing twin-impeller design (patented) provides high volume circulation and eliminates leakage up the pump column.

Mefiag's innovative screw top filter chamber with positive seal head accepts a wide variety of single or double end, sub-micron or standard filter cartridges with outer diameters of up to 2.8 inches. These chambers are supplied with ZDX-50D through 300D filter systems.

For higher volume flow and filtration, Mefiag provides filter tubes in parallel to reduce system pressure drop, increase liquid flow and increase filter capacity.

These no metal contact chambers are equipped with standard, double open end filter tubes. Each filter tube has an individual tube guide and cap assuring proper alignment and positive seal. There is no possibility of filter tube distortion or twisting as tubes are aligned and sealed before the cover is closed.

For maximum efficiency, Mefiag's ZDX filter systems are available in 16 sizes. Each provides excellent agitation without aeration and instant priming when in-tank. No tools are needed to open chamber for fast tube replacement.

### Effective Filtration

Mefiag's ZDX filter systems are equipped with easily inserted, appropriately sized Mefiag depth filter tubes. These are precision wound polypropylene fiber over a polypropylene perforated supporting core, forming hundreds of funnel shaped tunnels. Each layer of fiber serves as its own filter screen. The close winding pattern (density) determines the size of the particle retention. Filter tubes are available with solids handling retention values of 50 down to 0.5 micron. Sub-micron filter tubes are also available.

Depth filtration area over the entire thickness of the Mefiag No. 5 filter tube is 2.0 sq. ft.; of the No. 10 filter tube is 3.5 sq. ft.; of the No. 20 filter tube is 7.0 sq. ft.; and of the No. 30 filter tube is 10.5 sq. ft. Simultaneous carbon treatment and filtration to 10 micron can be achieved by using **Mefiag Carbon Filter Tubes**. See *Bulletin 913* for additional information.

### Motors

ZDX/ZKX electric motors are totally enclosed, fan cooled, continuous duty rated. They are UL recognized, CSA & CE approved (except the ZDX-1/12). Each motor is equipped with a removable drip cover and corrosion resistant paint. The larger sizes, ZDX-1/3 and above, are assembled with oversized, double sealed ball bearings and have solid one-piece shafts to reduce impeller whip and provide long term reliable operation. In addition, the larger motors, ZDX-1/3 and above, are equipped with a separate lip seal where the stainless steel shaft enters the motor housing. This lip seal prevents corrosive vapor and liquids from entering the motor housing and decreasing motor reliability.

### Materials of Construction

The high strength qualities and rigidity of CPVC make the ZDX Series filter systems extremely rugged, wear and impact resistant, and capable of handling the toughest of corrosive liquids and sensitive solutions at 200°F (93°C). Wetted parts are CPVC so there is no metal contact with liquid. Select Kynar systems are available to 210°F (99°C).

### You Can Install Them 3 Different Ways

The practical, economical, all-purpose, compact ZDX filter system series is designed for multi-position mounting anywhere in or around the tank. The lightweight portable units can be fixed to work entirely in-tank or all outside the tank. The system can also be divided in permit space saving position of the pump in tank and the filter chamber outside. Accessories furnished with each CPVC system include the necessary pipe, hose clamps, and mounting panels required to mount in any of the three configurations. ZDX pumps can be provided with floor mounted CPVC filter chambers for filtration rates to 6000 GPH (22,711 LPH). Kynar systems are provided with union and mounting panels only.

## CPVC (to 200°F) and KYNAR (210°) FILTER SYSTEMS

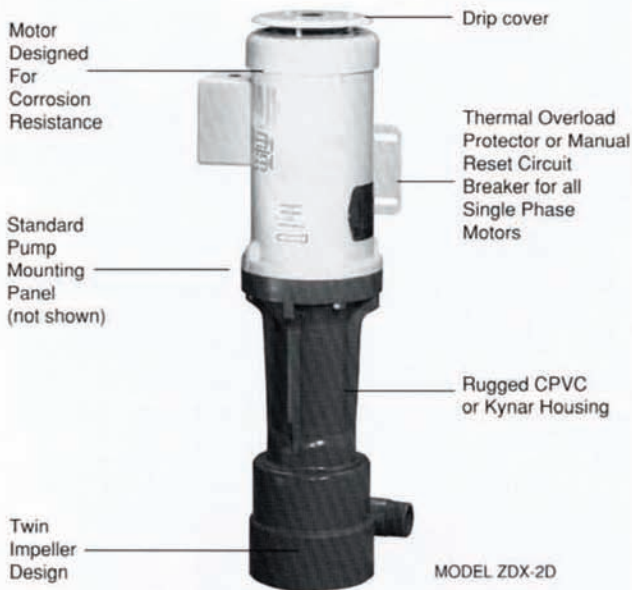
FILTER SYSTEMS			FILTER CHAMBERS				PUMPS									
MODEL	MAXIMUM FILTRATION RATE GPH (LPH) <sup>3</sup>	RECOMMENDED GALLONS (Liters)	MODEL	FILTER TUBES		TOTAL FILTER AREA (sq. Ft.)	MODEL	MOTOR CHARACTERISTICS <sup>1</sup>					HOSE <sup>2</sup> SIZE (ID)			
				NO.	SIZE			HP	VOLTS	HZ.	PHASE	TYPE				
ZDX-50D	200 (750)	10-50 (35-200)	DD-5S	1	#5	2.0	ZDX-1/12C	1/20	115 or 230	50/60	1	TEFC	3/4"			
ZDX-101D		10-75 (35-300)	DD-10S	1	#10	3.5	ZDX-1/3C	1/6								
ZDX-100DC	400 (1510)	25-150 (100-550)					ZDX-1/2B	1/4	115/230 or 208 230/380-460	1 or 3						
ZDX-100D							ZKX-1/2B	1/4								
ZKX-100D <sup>4</sup>			550 (2080)	100-300 (350-1100)	DD-20S	1	#20	7.0	ZDX-1/3C	1/6	115 or 230	1				
ZDX-200DC	DD-20S	1			or	#10	7.0	ZDX-1/2B	1/4	115/230 or 208 230/380-460	1 or 3					
ZDX-200D								ZKX-1/2B	1/4							
ZKX-200D <sup>4</sup>	550 (2080)	100-450 (350-1100)	DD-30S	1	#30	10.5	ZDK-1/3C	1/6	115 or 230	1						
ZDX-300DC			DD-30S	1	or		#10	ZDX-1/2B	1/4	115/230 or 208 230/380-460	1 or 3					
ZDX-300D								ZKX-1/2B	1/4							
ZKX-300D <sup>4</sup>	1000 (3785)	150-450 (350-1700)	D-30	3	#10	21.0	ZDX-3/4A	3/4	115/230 or 208 230/380-460	1 or 3						
ZDX-300AD			D-60	3	or		#20	ZDX-3/4A			3/4					
ZDX-600AD	1400 (5295)	300-900 (1100-3400)				D-60		3	or	#10	21.0	ZDX-1E	1			
ZDX-600ED	2000 (7570)	450-900 (1700-3400)	D-90	3	or		#30					31.5	ZDX-1E	1		
ZDX-900ED	2400 (9085)	700-1400 (2600-5200)				D-90		3	or	#10	31.5		ZDX-2D	2	208 230/380-460	3
ZDX-902DD	3000 (11,355)	800-1500 (3000-5700)											9			

1. All single phase motors are equipped with a manual reset circuit breaker or thermal overload and include on-off switch and line cord. 115V motors include plug. Switch and line cord are optional on 3 phase motors. Customer is responsible for overload protection of three phase motors.  
 2. ZDX-50D through 300D systems are supplied with 12 ft. of nylon reinforced vinyl hose. ZDX-300AD through ZDX-900CD systems are supplied with 18 ft. of nylon reinforced vinyl hose. Models supplied with ZDX-1/2B receive 6 ft. 1 1/4" diameter suction hose.

3. Pump and chamber in tank with 25 micron filter tube and no restrictions. (See *Bulletin 353* for pump curves)  
 4. These systems provided as shown in accompanying photo. No inlet or outlet fittings or base is provided.

## VERTICAL PUMPS

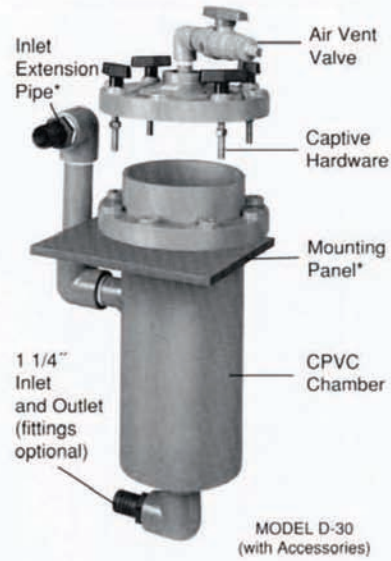
Pumps include twin impeller feature which prevents leakage of liquid up the shaft. Therefore, the pump can be mounted outside the tank with no possibility of leakage. With no wearing parts, it can even run dry. The exclusive twin impeller design circulates the liquid at higher volume.



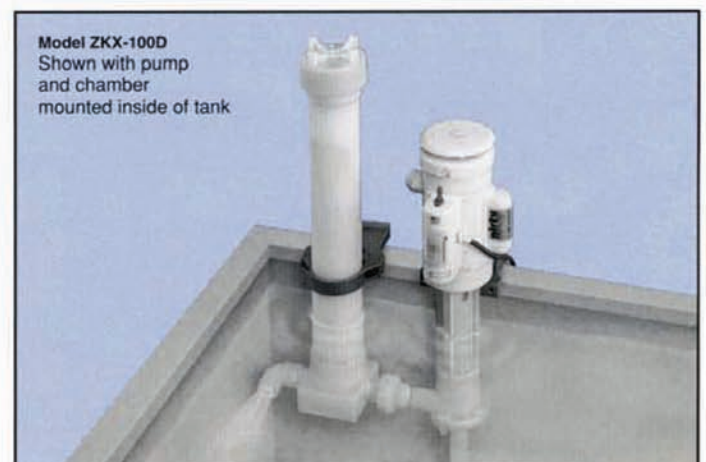
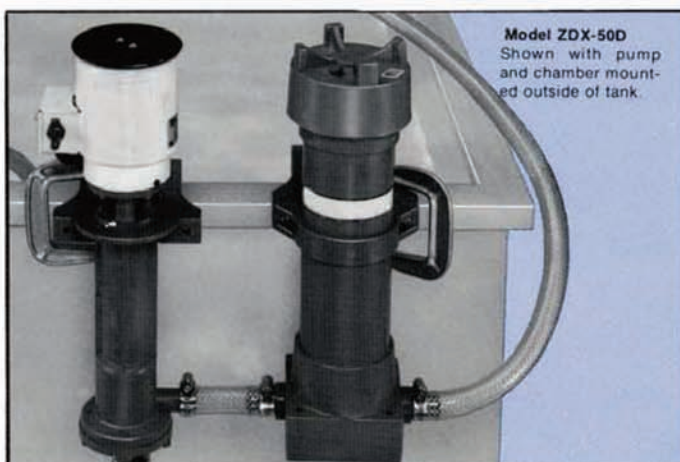
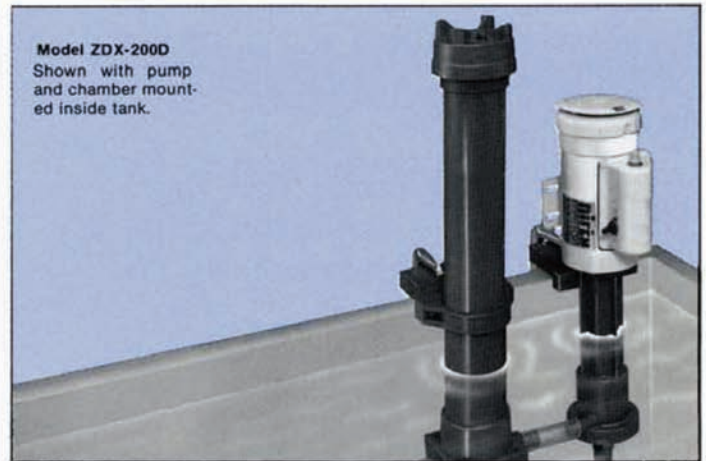
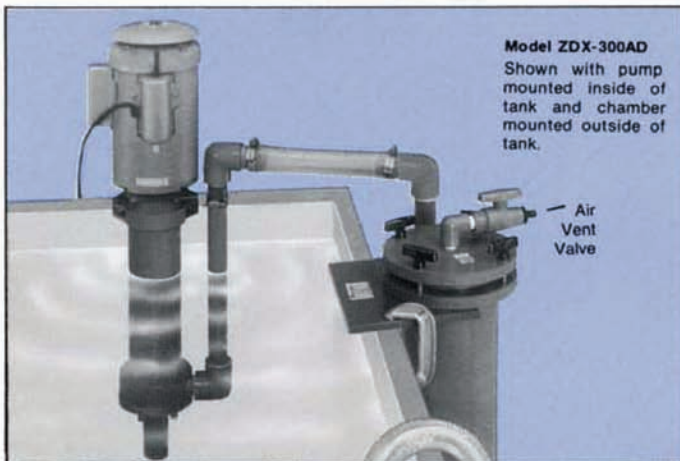
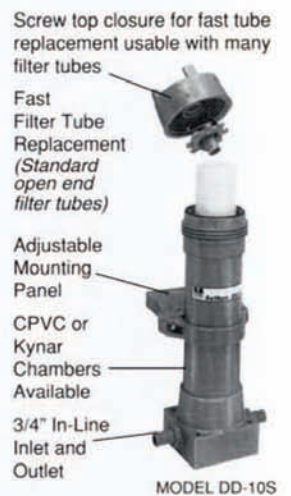
## FILTER CHAMBERS

High strength, impact and corrosion resistant plastic heavy wall construction. The compact chamber design assures complete flow through the filter tube with absolutely no liquid by-pass. Easy assembly and disassembly for fast tube replacements. (See Bulletin 401 for details.)

### “D” Series Three Tube Chamber



### “DD” Series Single Tube Chamber



CHOOSE FROM 7 DIFFERENT CHAMBERS AND 6 DIFFERENT PUMPS  
TO DO THE MOST EFFICIENT FILTRATION JOB IN YOUR TANK

Pumps and chambers are available separately

### CHAMBERS

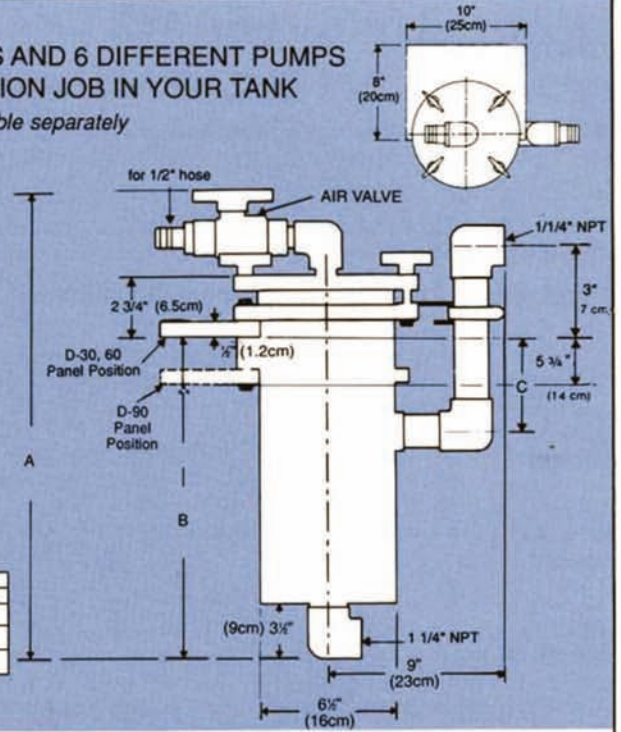
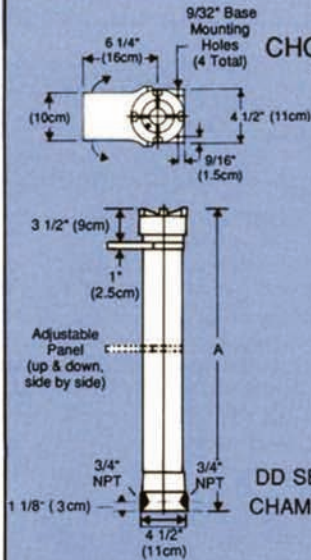
CHAMBER MODEL	NET WEIGHT lbs./kg.
DD-5S	4 / 1.8
DD-10S	5 / 2.2
DD-20S	7 / 3.2
DD-30S	8.5 / 3.8
D-30	17.5 / 8
D-60	23.5 / 10.7
D-90	29.5 / 13.4

#### DD SERIES CHAMBERS

MODEL	A	
	IN.	CM.
DD-5S	11 1/2"	29
DD-10S	15 3/4"	40
DD-20S	25 3/4"	65
DD-30S	35 3/4"	91

#### D SERIES CHAMBERS

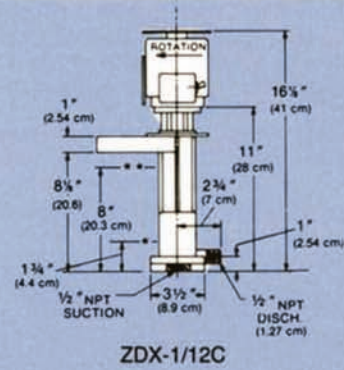
MODEL	A		B		C	
	IN.	CM.	IN.	CM.	IN.	CM.
D-30	23 1/8"	59	16 5/8"	42	5 1/4"	13
D-60	32 5/8"	83	26 1/8"	66	12 1/2"	32
D-90	43 1/2"	110	34 3/16"	87	23"	58



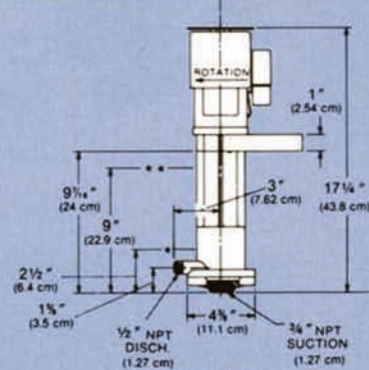
### PUMPS

PUMP MODEL	NET WEIGHT lbs./kg.
ZDX-1/12C	7 / 3.2
ZDX-1/3C	10 / 4.5
ZDX-1/2B	22 / 10
ZDX-3/4A	33 / 15
ZDX-1E	52 / 23.5
ZDX-2D	60 / 27

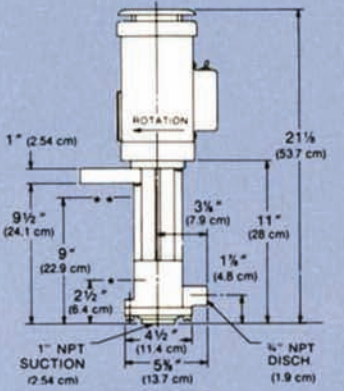
\* Minimum immersion level  
\*\* Maximum immersion level



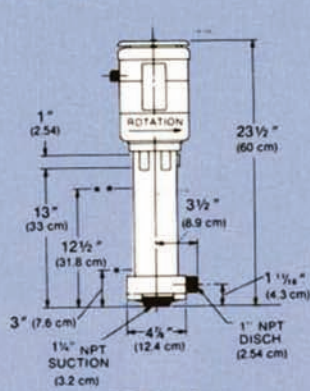
ZDX-1/12C



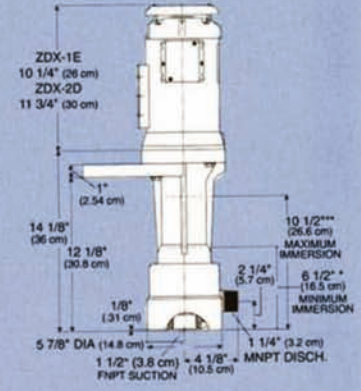
ZDX-1/3C



ZDX-1/2B



ZDX-3/4A



ZDX-1E and ZDX-2D



A Met-Pro Mefiag Filtration Technologies Business

1550 Industrial Drive, Owosso, MI 48867

Tel: 989-725-8184 • Fax: 989-729-1013

www.mefiag.com • mefiag@met-pro.com

